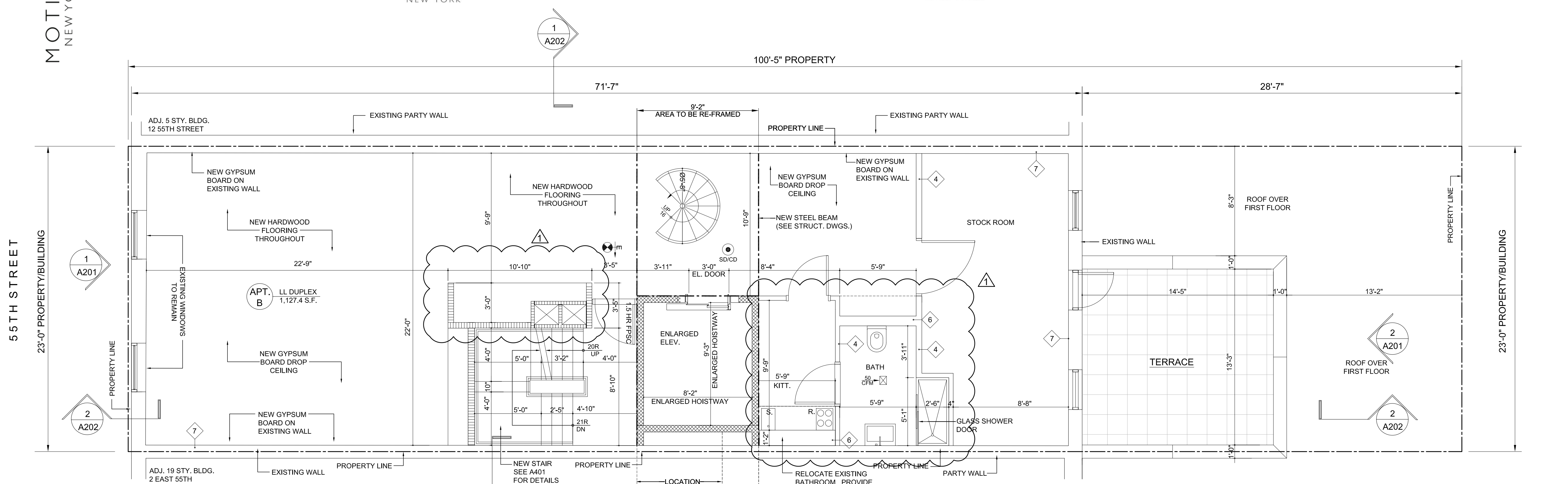


4TH FLOOR PLAN - APT. A UPPER LEVEL DUPLEX
 SCALE: 1/4" = 1'-0"
 GROSS FLOOR AREA: 1,901.4 S.F.
 EL. = [+40'-5.5"]

MOTION
NEW YORK

MOTION
NEW YORK

MOTION
NEW YORK



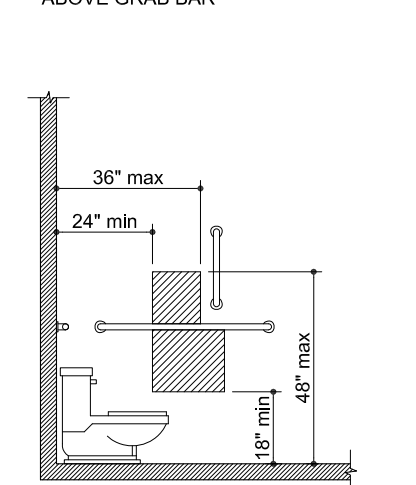
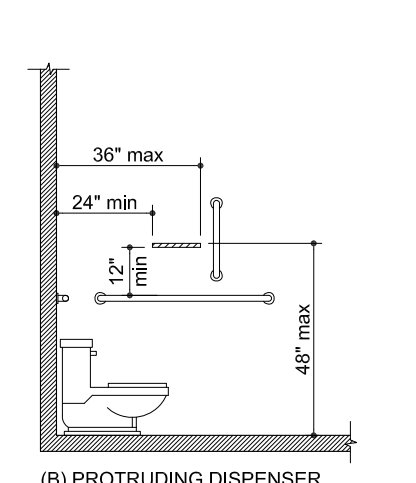
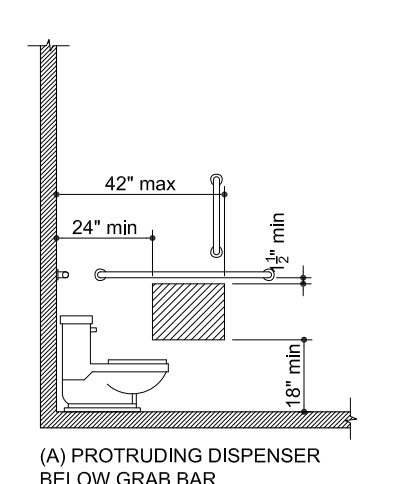
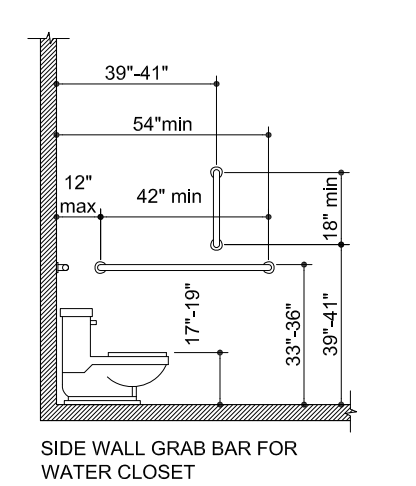
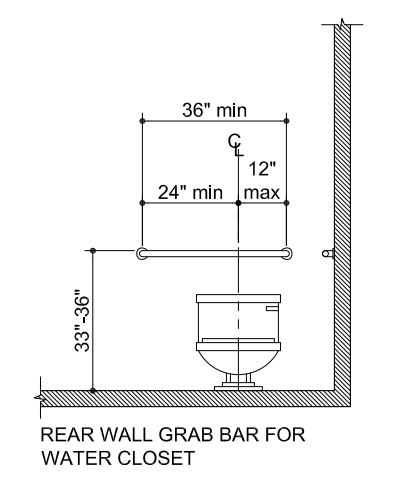
5TH FLOOR PLAN - APT. B LOWER LEVEL DUPLEX
 SCALE: 1/4" = 1'-0"
 GROSS FLOOR AREA: 1,652.2 S.F.
 EL. = [+53'-0.18"]

MOTION
NEW YORK

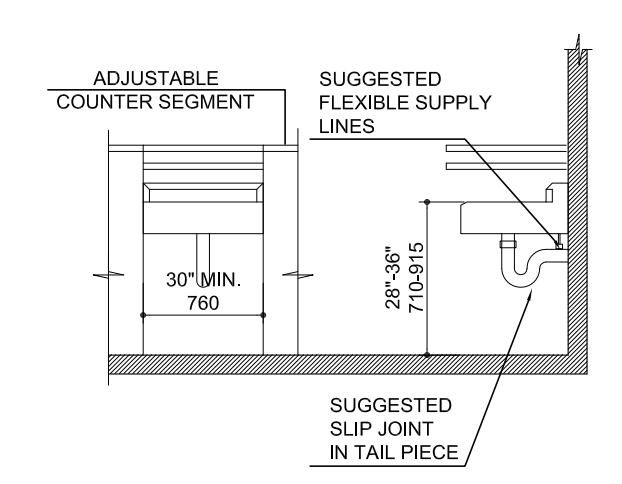
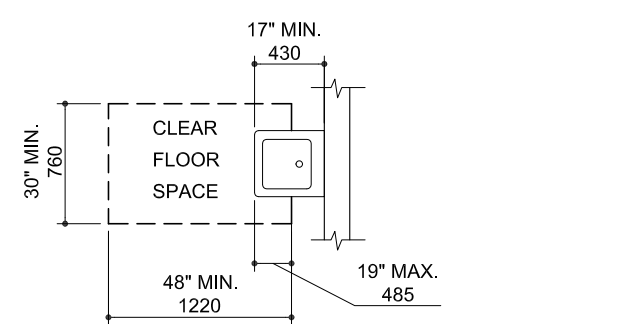
MOTION
NEW YORK

MOTION
NEW YORK

**HANDICAP
DETAILS FOR
APARTMENTS (BATH)**



**HANDICAP
COUNTER
DETAILS**



ARCHITECT:	PROJECT TITLE: 14 EAST 55TH STREET New York, New York	DRAWING TITLE: FLOOR PLANS SCALE: AS SHOWN	ISSUED/REVISION DATE: 1. 10.23.2014 2. 10.04.2016 Δ 3.	SEAL:	DRAWING NO: A-103.01 5 OF 14
------------	---	--	---	-------	---